



# WeldPack<sup>®</sup>

Welded Plate Heat Exchangers



*A Leading Supplier In Plate Heat Exchangers*

# WeldPack<sup>®</sup> Welded Plate Heat Exchangers

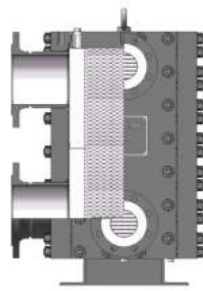
Vitherm WeldPack<sup>®</sup> welded plate heat exchanger is a compact solution to work in high operating pressures, and high or low operating temperatures.

## Advantages of WeldPack<sup>®</sup> :

- no interplate gaskets
- accessible on both sides
- easier to access & easier to clean
- closer temperature approach possible
- compactness – very little space required
- lower capital cost
- low-maintenance
- fully welded by robot



Horizontal Unit



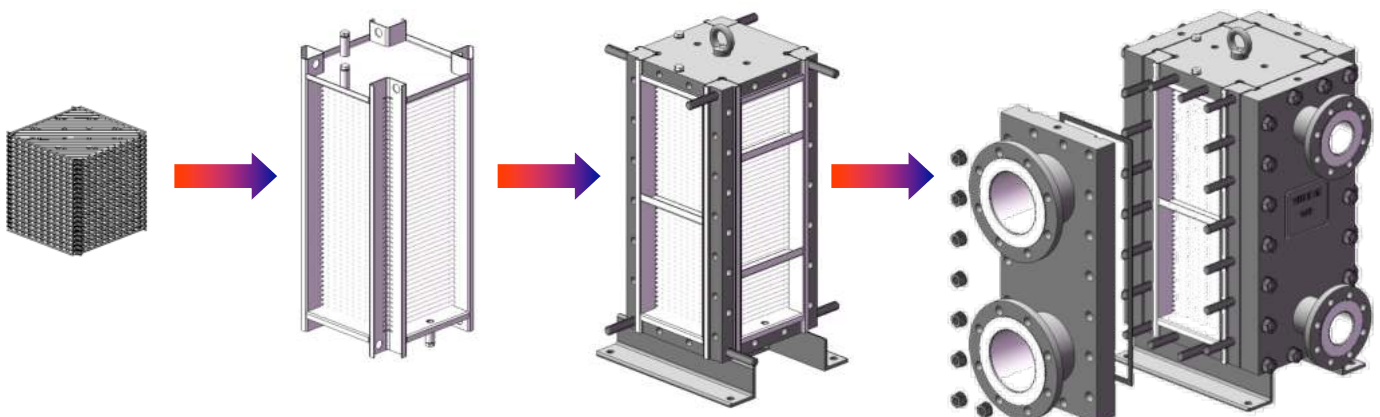
Vertical Unit



## Available Materials:

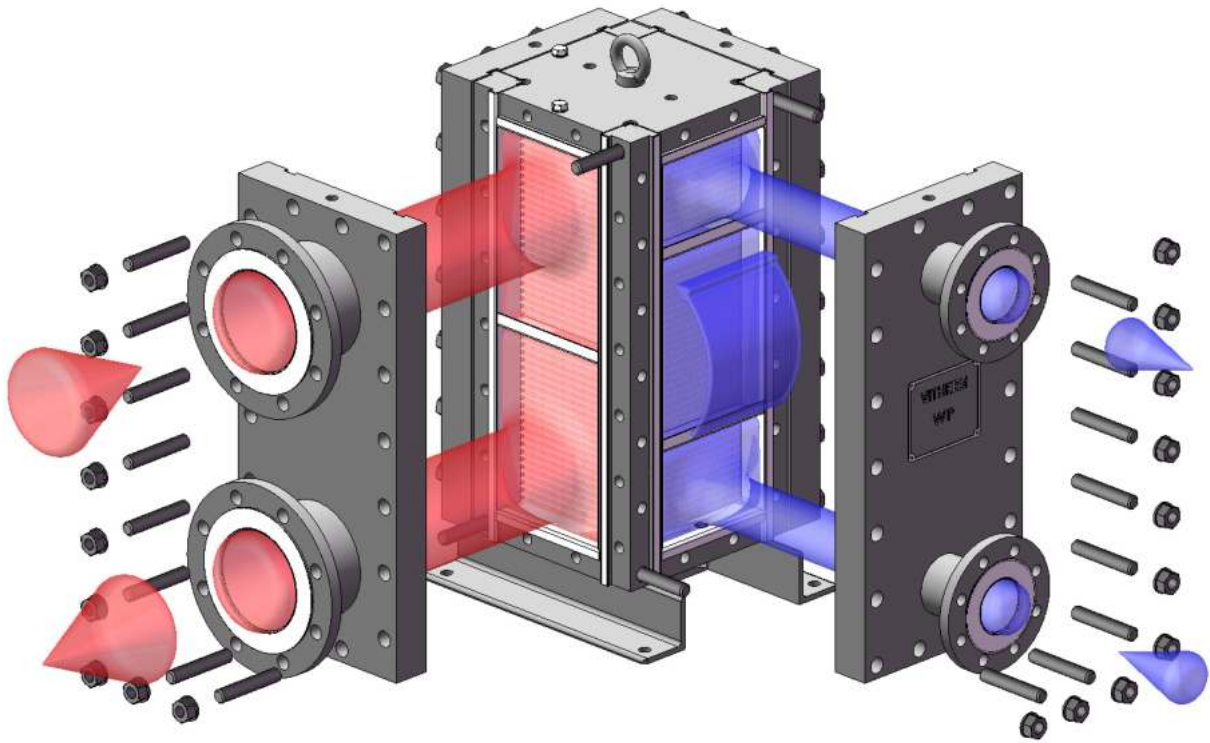
Any alloy that can be pressed & welded

- SS316L (Standard)
- Titanium & Titanium + 0.2 Pd.
- Hastelloy<sup>®</sup> C-2000, C-276, C-22, B2
- Avesta 254 SMO, 904L
- Uranus B-6
- Incoloy / Inconel
- Monel
- Nickel



# WeldPack<sup>®</sup> Welded Plate Heat Exchangers

The WeldPack<sup>®</sup> is available in several models, ranging from 2.4 sqm, up to 1,530 sqm of heat transfer area.



**Design Pressure:** Vacuum / 50 barg  
**Design Temperature:** - 40 ° C / 400 ° C

## APPLICATIONS :

- liquid - liquid
- condenser with or without sub-cooling
- condenser with or without inert
- reboiler
- steam heater

## INDUSTRY SECTORS :

- Oil & Gas Industry
- Vegetable Oil Industry
- Chemical/Petrochemical Industry
- Pharmaceutical Industry

## OTHER PRODUCTS :



Flowpack®  
Gasketed Plate Heat Exchangers

**Port Size:** From ¾" till 20"

**Design Pressure:** Vacuum / 20 - 25 barg

**Design Temperature:** -20 °C / 180 °C

**Application:**

- ✓ Marine Industry
- ✓ Chemical Industry
- ✓ HVAC Industry
- ✓ Oil & Gas Industry
- ✓ Food Industry

Contact us by mail: [info@vitherm.com](mailto:info@vitherm.com)

### Address:

**Vitherm Asia Pte Ltd**  
8 Eu Tong Sen Street  
#16 - 84, The Central  
Singapore 059818

Tel : +65 6324 0178

Fax : +65 6324 0179

Email : [info@vitherm.com](mailto:info@vitherm.com)